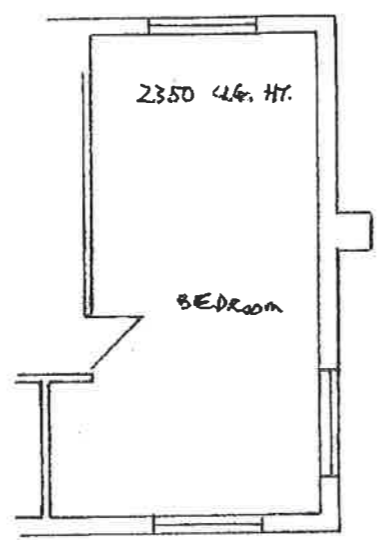


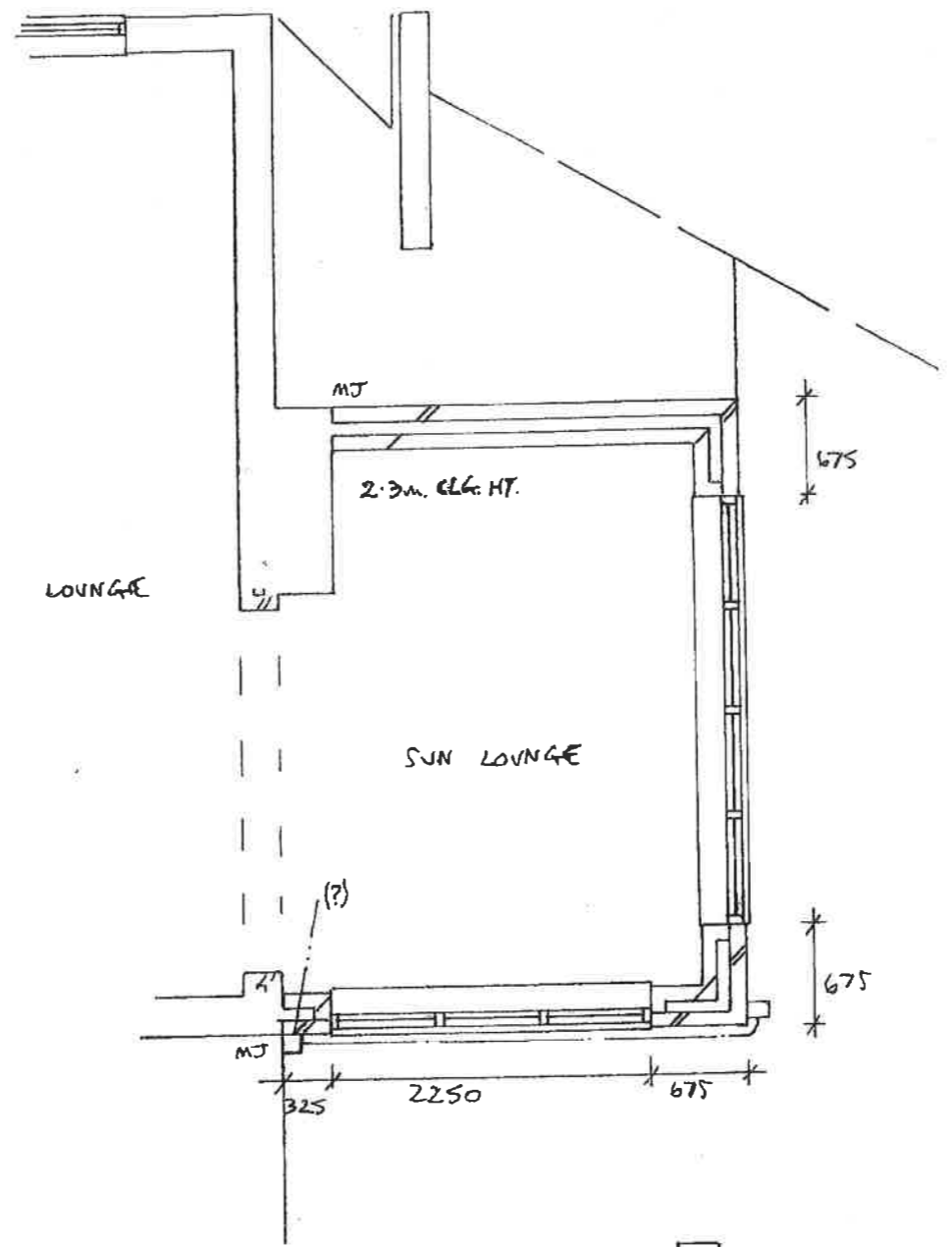
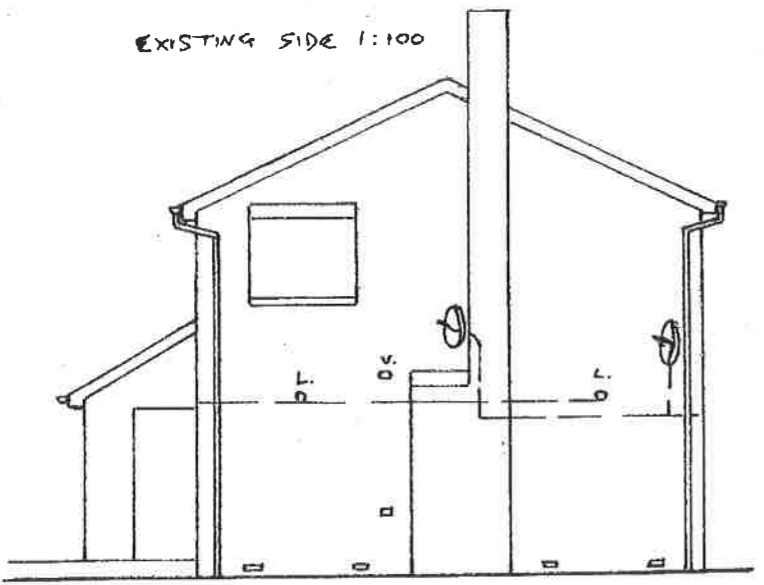
SOUTH TYNESIDE COUNCIL  
 22 APR 2015  
 AREA PLANNING

CT0244 / 15 HFUL

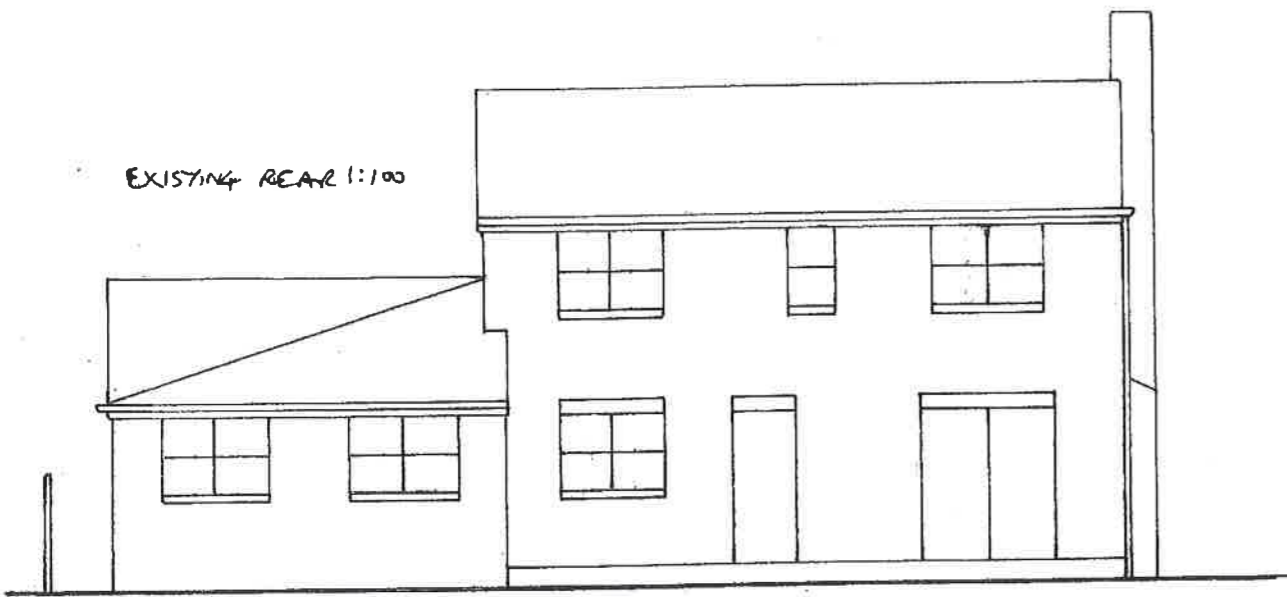
EXISTING FIRST FLOOR 1:100



EXISTING SIDE 1:100

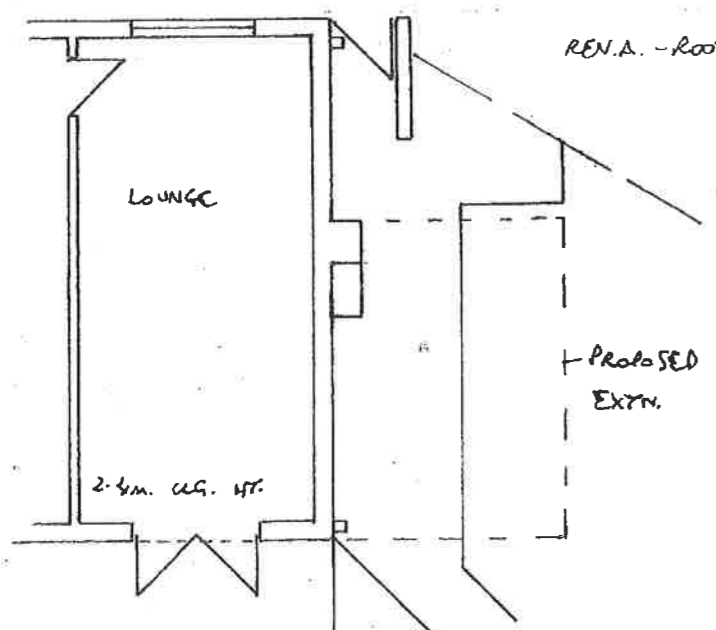


EXISTING REAR 1:100

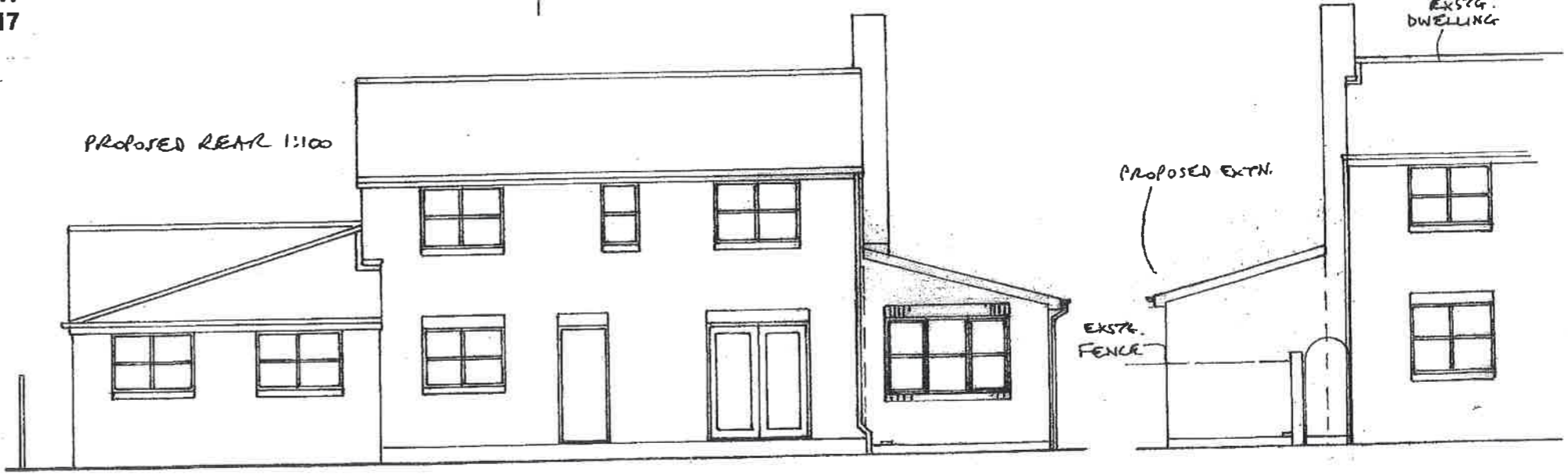


PROPOSED EXTENSION TO 35 SHEARWATER, WHITBURN  
 FOR MR. WEST  
 DRG NO 529/2917

REN.A. - ROOF - 22/16/15



PROPOSED REAR 1:100



EXISTING/PROPOSED FRONTAGE 1:100